

THE CUTTING EDGE

KOMET DIHART® Freemax

Indexable insert technology has revolutionised reaming with multiple-cutting-edge reamers and has set new standards in terms of cost efficiency and functionality.

We have always focused on minimising tool wear and thus ensure maximum productivity at our customers. We have now applied this approach to our reaming tools and simplified handling at the same time. One new feature of our KOMET DIHART® Freemax is that the user can choose the position of the inserts, similar to how other machining tools currently work. This means that they are easier to fit, quicker and more reliable.

The KOMET DIHART® Freemax has three cutting edges per insert, making handling for the user extremely flexible. This makes our KOMET DIHART® Freemax truly unique.



BENEFITS for you:

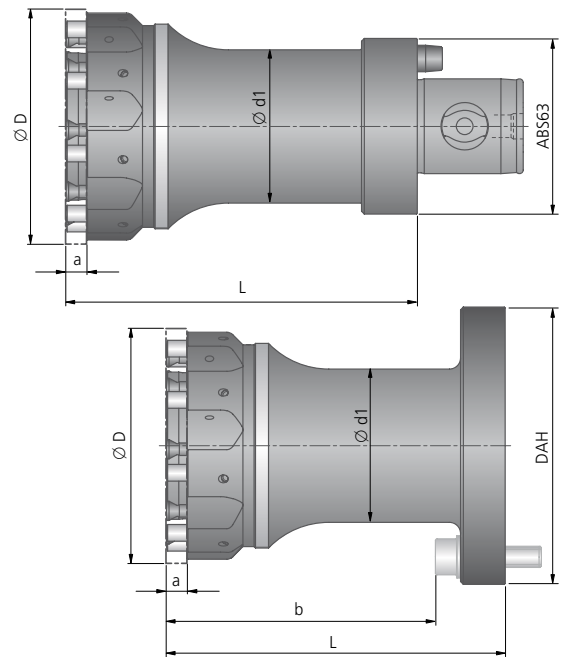
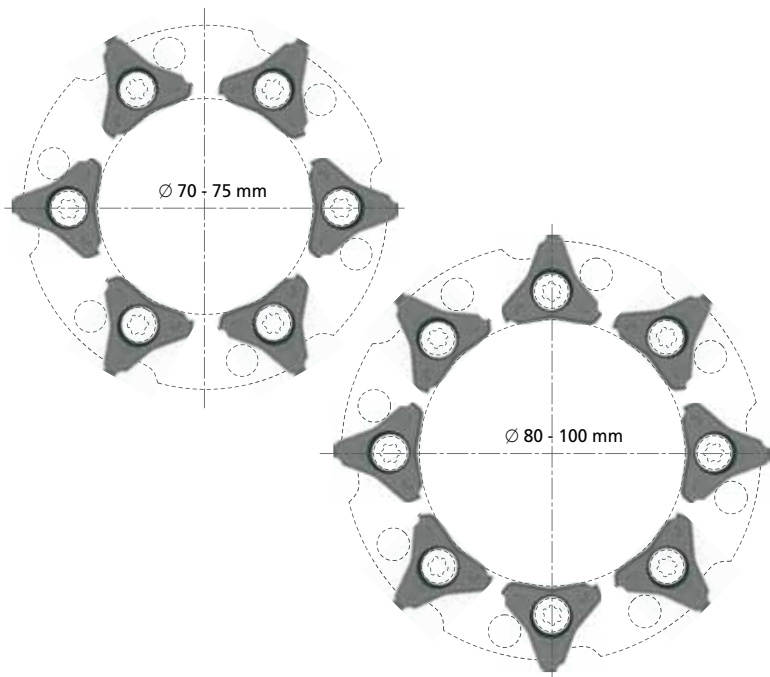
- Triple-edged indexable inserts that can be freely assigned
- Coated carbide and cermet inserts available for machining all material groups in accordance with the ISO standard
- The clear assignment of each cutting edge by marking on figures prevents incorrect positioning
- High level of stability thanks to the tangential fitting of the indexable inserts
- High-precision ground indexable inserts for maximum quality
- Can be fitted in KOMET DIHART DAH® compensating holders or with ABS® connection
- EASY-TO-USE principle: Handling is straightforward and the need for adjustments is minimal
- DBG-P coating for better performance

Ø 40 - 70 mm
(Q2 2018)

Ø 70 - 100 mm


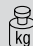
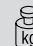
Ø > 100 mm
(Q3 2018)

Diameter H7 – available in Q4 2017



Set of indexable inserts					
Ø D	Z	ASG 3000		ASG 4000	
		Order No. DBG-P	Order No. DST	Order No. DBG-P	Order No. DST
70 ^{H7}	6	71G.65.0700N	71G.93.0700N	71G.65.0700D	71G.93.0700D
75 ^{H7}	6	71G.65.0750N	71G.93.0750N	71G.65.0750D	71G.93.0750D
80 ^{H7}	8	71H.65.0800N	71H.93.0800N	71H.65.0800D	71H.93.0800D
85 ^{H7}	8	71H.65.0850N	71H.93.0850N	71H.65.0850D	71H.93.0850D
90 ^{H7}	8	71H.65.0900N	71H.93.0900N	71H.65.0900D	71H.93.0900D
95 ^{H7}	8	71H.65.0950N	71H.93.0950N	71H.65.0950D	71H.93.0950D
100 ^{H7}	8	71H.65.1000N	71H.93.1000N	71H.65.1000D	71H.93.1000D

¹⁾ material group 9.0 | 9.1 | 10.0 · ²⁾ material group 12.0 · ³⁾ material group 12.0 | 12.1

DAH®								ABS®						Clamping screw  Order No. Article
Ø D	Order No.	DAH	Ø d1	L	b	a	 kg	Order No.	ABS	Ø d1	L	a	 kg	
70 ^{H7}	72A.30.07000	81	38	117	99	7	1,8	72A.60.07000	63	50	125	7	2,7	
75 ^{H7}	72A.30.07500	81	38	117	99	7	2,0	72A.60.07500	63	50	125	7	2,9	
80 ^{H7}	72A.30.08000	115	55	121,5	96	7	3,3	72A.60.08000	63	60	125	7	3,2	
85 ^{H7}	72A.30.08500	115	55	121,5	96	7	3,5	72A.60.08500	63	60	125	7	3,4	
90 ^{H7}	72A.30.09000	115	55	121,5	96	7	3,7	72A.60.09000	63	60	125	7	3,7	
95 ^{H7}	72A.30.09500	115	55	121,5	96	7	3,9	72A.60.09500	63	60	125	7	4	
100 ^{H7}	72A.30.10000	115	55	121,5	96	7	4,2	72A.60.10000	63	60	125	7	4,3	

For further information see catalogue „TOOLS PLUS IDEAS 2017-2018“

KOMET GROUP GmbH · Zepelinstraße 3 · 74354 Besigheim · GERMANY
Tel. +49 7143 3730 · Fax +49 7143 373233 · info@kometgroup.com · www.kometgroup.com